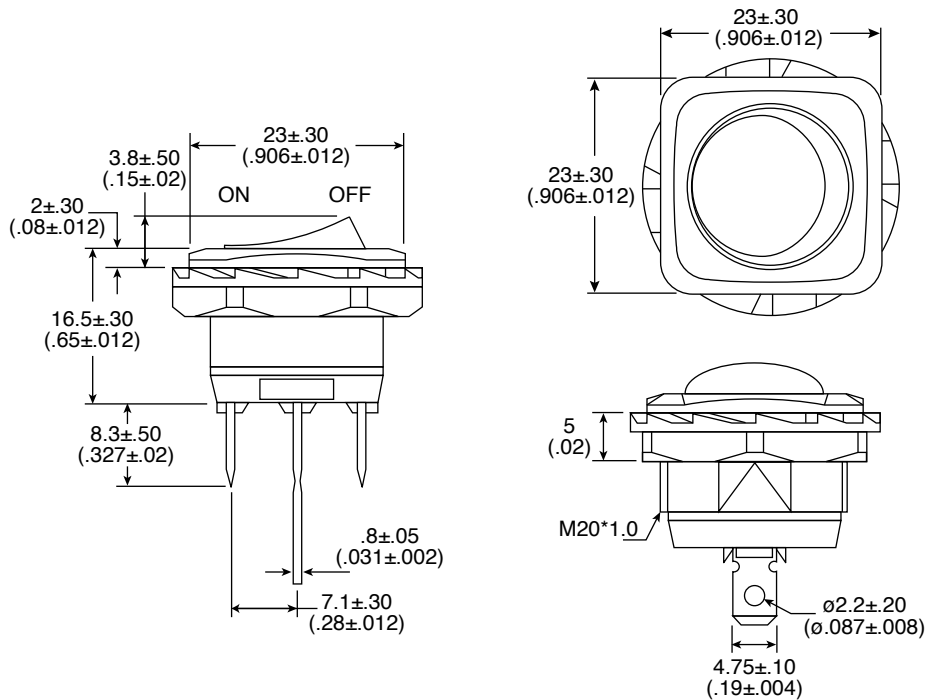


**DIMENSIONS: mm (in.)**



Cutout	Circuit Arrangement	Circuit Diagram
<p>18.60 (.732)</p> <p><math>\phi 20.20</math> (<math>\phi .795</math>)</p> <p>6mm (.236) Max.</p>	<p>3P SPST</p> <p>Illuminated</p> <p>125VAC 33K</p>	<p>33 K<math>\Omega</math></p> <p>OFF</p> <p>3 2 1</p> <hr/> <p>33 K<math>\Omega</math></p> <p>ON</p> <p>3 2 1</p>

**Electrical Specifications:**

- Rating: 16A/125VAC, 10A/250V AC
- Contact Resistance: 50m  $\Omega$  max.
- Insulation Resistance: 500VDC 100M  $\Omega$  min.
- Dielectric Strength: 1500VAC 1 minute

**Note:**

- RoHS Compliant

Mouser Stock No.	LED Color
103-R13-135B-02R-EV	Red
103-R13R-135B-02G-EV	Green

**Illuminated Rocker Switches**

103-R13-135B-02R-EV, 103-R13-135B-02G-EV



Available from Mouser Electronics

www.mouser.com

1-800-346-6873